

# LAMP PUMPED LASER HEADS

High performance and reliability



**Part No: CHBA3117E**

**LASER SYSTEMS:** Bentzy Laser Systems

**DESCRIPTION:** Single-Lamp Pumped Solid-State Laser Chamber used for diamond processing.

## ASSEMBLIES:

REFERENCE	ITEM	PART NUMBER
1	ORK3117	O-Ring Kit for 3 mm Rod
2	GCA117	Gold Cavity Assembly, Complete
3	BA117	Head Block Assembly (Less Cavity Reflector, YAG Rod & Lamp Assembly)
4	HBA117E	Head Block Assembly (Less YAG Rod & Lamp Assembly)
5	CHBA3117E	Complete Head Block Assembly (Includes 3 mm Rod)

# Part No: CHBA3117E

## LASER HEAD COMPONENTS:

REFERENCE	PART NUMBER	DESCRIPTION
1	CHI17T	Cavity Reflector, Top
2	CHI17B	Cavity Reflector, Bottom
3	GCE117	Gold Cavity Reflector
4	CMI14	Coolant Manifold Required for Water Fittings
5	CEP114	Cavity End Plate
6	WIB117	Water Inlet Block
7	LSI17	Light Shield Sleeve
8	SEE KIT	O-Ring, Silicone (Included in Kit)
9	LHB117	Lower Head Block
11	CPP114	Crystal Pressure Plate, Front
12	LPP114	Lamp Pressure Plate, Front
14	LEP114	Lamp End Plate
16	UHB117	Upper Head Block
17	LHC5117	Lower Head Carriage
18	ORK3117	O-Ring, Silicone (Included in Kit)
19	YRI173A	YAG Rod, 3 mm, Unmounted, TEM <sub>00</sub>
21	YRA1173ENHA	YAG Rod Assembly Complete, 3 mm Rod, TEM <sub>00</sub> , Enhanced, Low Noise
23	RFT117ENHA	Rod Flow Tube, Low Noise
24	YRHI173ENHA	YAG Rod Holder, 3 mm Rod
27	PRI16	Pressure Ring
28	RRI16	Retaining Ring
29	CNI17A	Crystal Nut
30	ORS3MM	O-Ring Silicone, 3 mm
32	PTI173ENHA	Pressure Tube, 3 mm
34	LFT117	Lamp Flow Tube, Pyrex
35	LFT117CE	Lamp Flow Tube, Cerium Doped Quartz
36	LLI17LL	Laser Lamp, Long Life 400 Hrs
37	LLI17LLS	Laser Lamp, Extra Long Life 600 Hrs
38	PWI49	Pressure Washer
39	CSA114	Cathode Socket Assembly
40	CSA116	Cathode Socket Assembly
41	ORN804	O-Ring Nitrile (10PCES/PKT)
42	THR150	Threaded Retainer
44	CLA500	Carriage Locking Assembly

## FREQUENTLY USED CONSUMABLES:

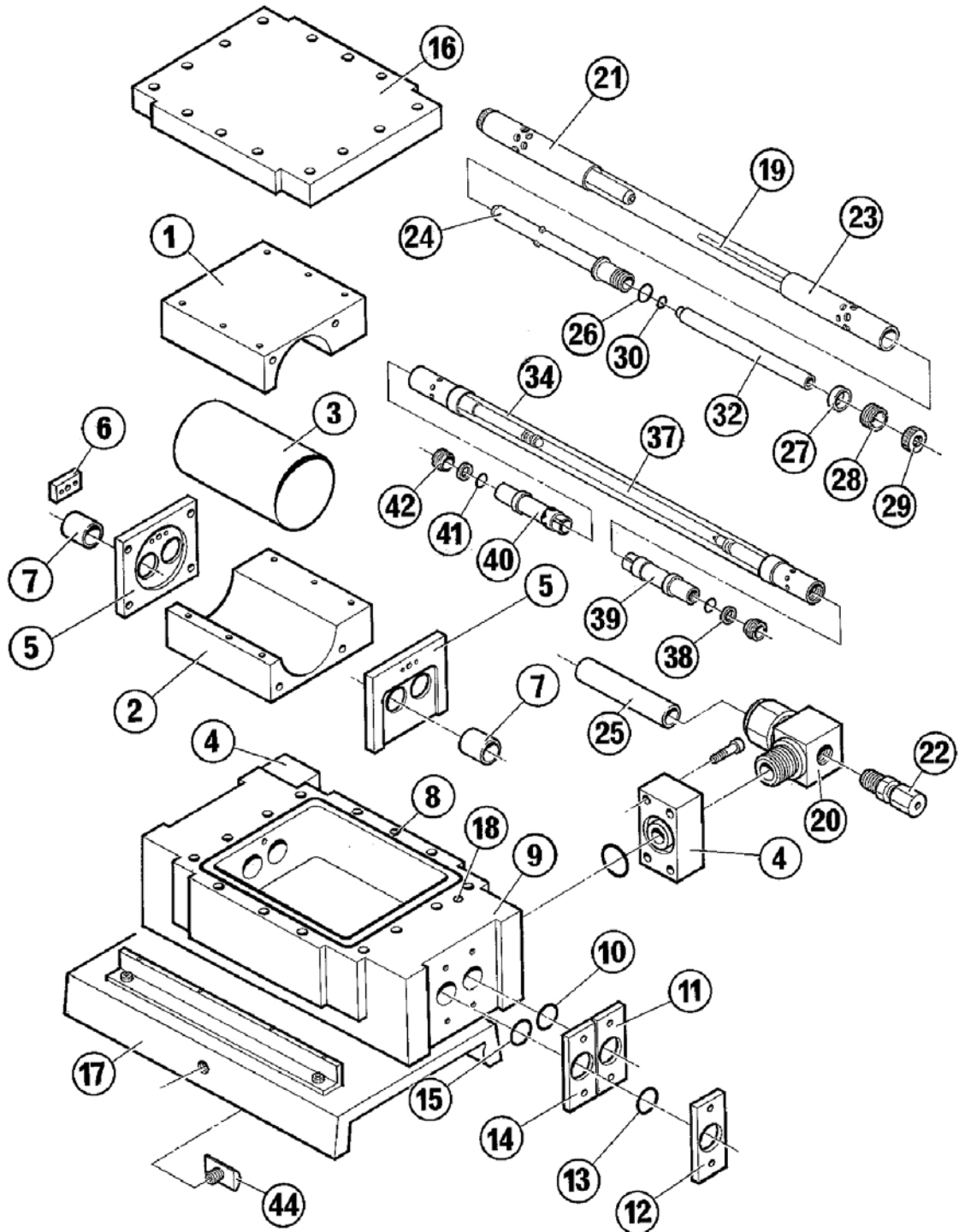
REFERENCE	ITEM	PART NUMBER
1	Lamp	LL749
2	Lamp Flow Tube, Doped	LFT117CE
3	Rod Flow Tube	RFT117ENHA
4	Cathode Socket Assembly	CSA114 & CSA116
5	Front Mirror 80% R	MR3M80RHC
6	Rear Mirror HR	MR3M100RHC
7	DI Cartridge	D150
8	Particle Filter	PF75

Other consumables upon request.

# LAMP PUMPED LASER HEADS

High performance and reliability

Part No: CHBA3117E



Intelligent Solutions, Manufacturing & Development