

# LAMP PUMPED LASER HEADS

High performance and reliability



**Part No: CHBA3640/C**

**LASER SYSTEMS:** LASER S.O.S. SOSI50WQSS380, 150–160 Watt

**DESCRIPTION:** Single-Lamp Pumped Solid-State Laser Chamber used for cutting marking & deep engraving applications.

## ASSEMBLIES

REFERENCE	PART NUMBER	DESCRIPTION
1	ORK350	O-Ring Kit 4mm Rod
2	CCA354	Ceramic Cavity Assembly, Complete
3	BA350	Head Block Assembly (Less Cavity, YAG Rod, Lamp & Carriage)
4	HBA3640	Head Block Assembly (Less YAG Rod, Lamp & Carriage)
5	CHBA3640	Head Block Assembly (Less Carriage), 4mm Rod Average Power = 150W
6	CHBA3640/C	Complete Head Block Assembly, 4mm Rod Average Power = 150W

# Part No: CHBA3640/C

## LASER HEAD COMPONENTS:

REFERENCE	PART NUMBER	DESCRIPTION
1	HB300	Head Bolt, Stainless Steel
2	FIN350	Heat Sink, Aluminium
3	UHB350	Upper Head Block
4	CEP300T	Cavity End Plate, Teflon
5	CCE354	Cavity Ellipse, Ceramic
6	RFT350	Flow Tube, Rod
7	FT450	Flow Tube, Lamp
8	LL9300	Laser Lamp, 30A
10	YRH334	YAG Rod Holder, 4mm Rod
11	LC708	Lamp Contact Band, Gold Plated
12	LCB300	Lamp Contact Block, Less Gold Lamp Band
12A	LCBA300	Lamp Contact Block Assembly, Including Gold Lamp Band
13	LTB300	Lamp Terminal Block
14	YRA350MM	YAG Rod Assembly, 4 x 108mm Rod, Multi Mode
15	ORT468	O-Ring, Teflon, 4mm Rod
16	REC300	Rod End Cap
17	RG300	Rod Guide
18	DB300	Dust Boot
19	ORK354	O-Ring, Silicone (Included in Kit)
20	ORK354	O-Ring, Silicone (Included in Kit)
21	LHB350	Lower Head Block
22	LHC350	Lower Head Carriage
23	HVP570	High Voltage pin
24	WF012	Water Fittings "-16 x "
25	WF021/2	Elbow Water Fitting, " for Q-Switch
26	HOSETAIL1/2	Hosetail " Barbed
27	CLA500	Carriage Locking Assembly
28	HVC800	High Voltage Cap
29	YR715	YAG Rod, 4 x 108mm, Multi Mode, Unmounted
30	CEP300	Cavity End Plate, Gold
31	CSP300	Ceramic Support Plate

## FREQUENTLY USED CONSUMABLES:

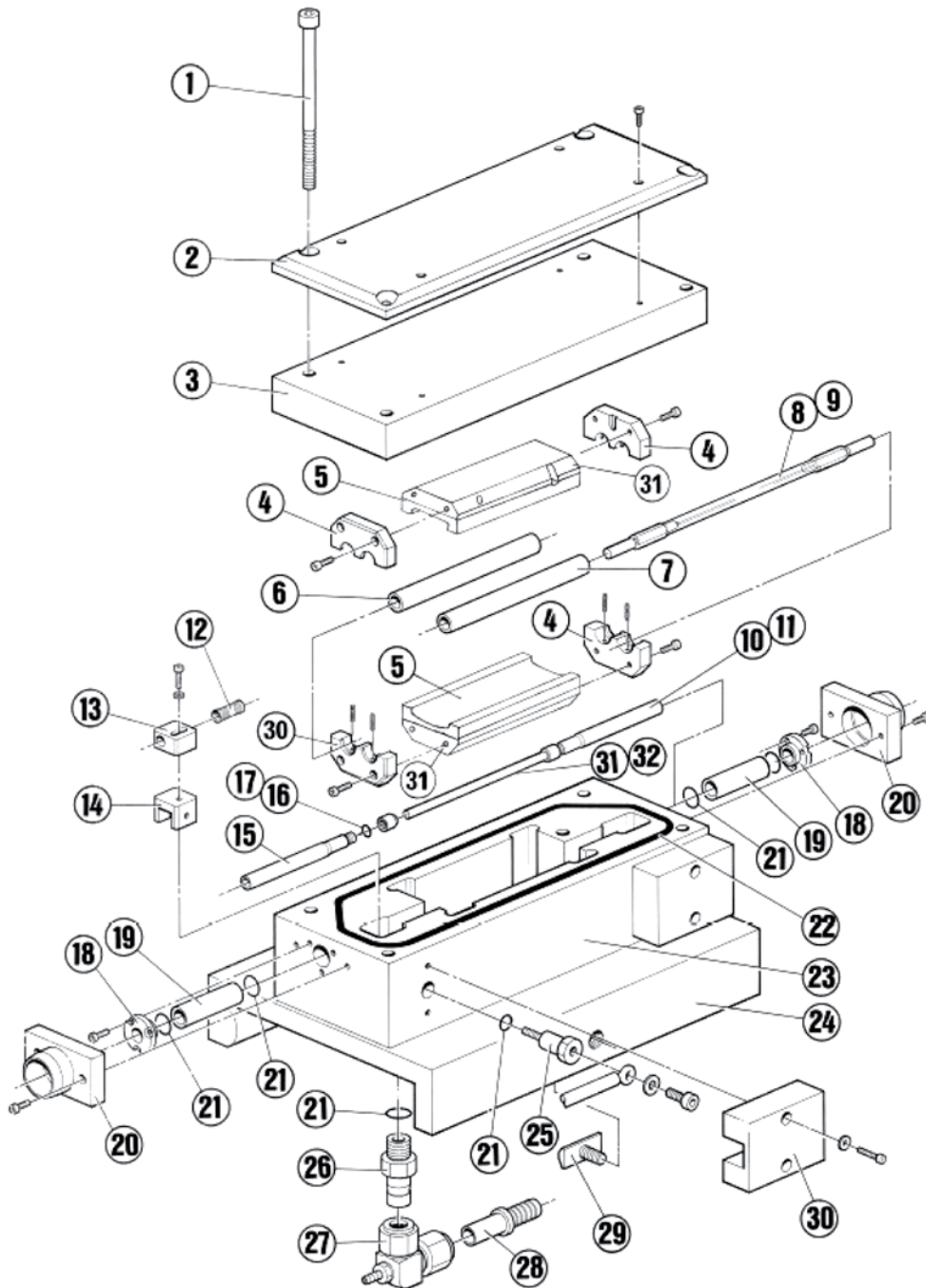
REFERENCE	ITEM	PART NUMBER
1	Lamp, 30Amp	LL9300
2	Lamp Flow Tube	FT450
3	Rod Flow Tube	RFT350
4	O-Ring Kit	ORK350
5	DI Cartridge	D150
6	Particle Filter	PF75
7	Front Mirror 85%	MR3M85RHC
8	Rear Mirror HR	MR3MI00RHC
9	Gold Lamp Band	LC708

Other consumables upon request.

# LAMP PUMPED LASER HEADS

High performance and reliability

## Part No: CHBA3640/C



Intelligent Solutions, Manufacturing & Development