

LAMP PUMPED LASER HEADS

High performance and reliability



Part No: CHBA4116YLF

LASER SYSTEMS: Quantronix Nd:YLF Model 4116, 4216

DESCRIPTION: High Stability Single-Lamp Pumped Solid-State Laser Chamber used for precision material processing for Scientific and Industrial Applications.

ASSEMBLIES:

REFERENCE	PART NUMBER	DESCRIPTION
1	ORK4116	O-Ring Kit for 4 mm Rod
2	GCA116	Gold Cavity Assembly, Complete
3	BA114	Head Block Assembly (Less Cavity Reflector, YLF Rod & Lamp Assemblies)
4	HBA116	Head Block Assembly (Less YLF Rod & Lamp Assembly)
5	CHBA4116YLF	Complete Head Block Assembly (Includes 4 mm YLF Rod)

Part No: CHBA4I16YLF

LASER HEAD COMPONENTS:

REFERENCE	PART NUMBER	DESCRIPTION
1	CHI16T	Cavity Reflector Holder, Top
2	CHI16B	Cavity Reflector Holder, Bottom
3	GCEI16	Gold Cavity Reflector
4	CMI14	Coolant Manifold Required for Nylon Water Fittings
5	CEPI14	Cavity End Plate
6	WIBI16	Water Inlet Block
7	LSI16	Light Shield Sleeve
8	ORK4I16	O-Ring, Silicone (Included in Kit)
9	LHB116	Lower Head Block
11	CPP114	Crystal Pressure Plate, Front
12	LPP114	Lamp Pressure Plate, Front
14	LEPI14	Lamp End Plate
16	UHB116	Upper Head Block
17	WF033	Water Fitting, Stainless Steel
19	YLF116	YLF Rod, 4 mm × 79 mm
21	YLFAI16	YLF Rod Assembly Complete, 4 mm
23	RFT116	Rod Flow Tube
24	YRHI164	YLF Rod Holder, 4 mm
27	PR116	Pressure Ring
28	RR116	Retaining Ring
29	CNI16	Crystal Nut
30	ORS4MM	O-Ring Silicone, 4 mm
32	PTI164ENH	Pressure Tube, 4 mm
34	LFT116	Lamp Flow Tube
35	LFT116CE	Lamp Flow Tube, Cerium Doped
36	LLI16LL	Laser Lamp, 400 Hrs
37	LLI16LLS	Laser Lamp, 600 Hrs
38	PWI49	Pressure Washer
39	CSA116	Cathode Socket Assembly
40	ASA116	Anode Socket Assembly
41	ORN804	O-Ring Nitrile (10PCES/PKT)
42	THR150	Threaded Retainer

FREQUENTLY USED CONSUMABLES:

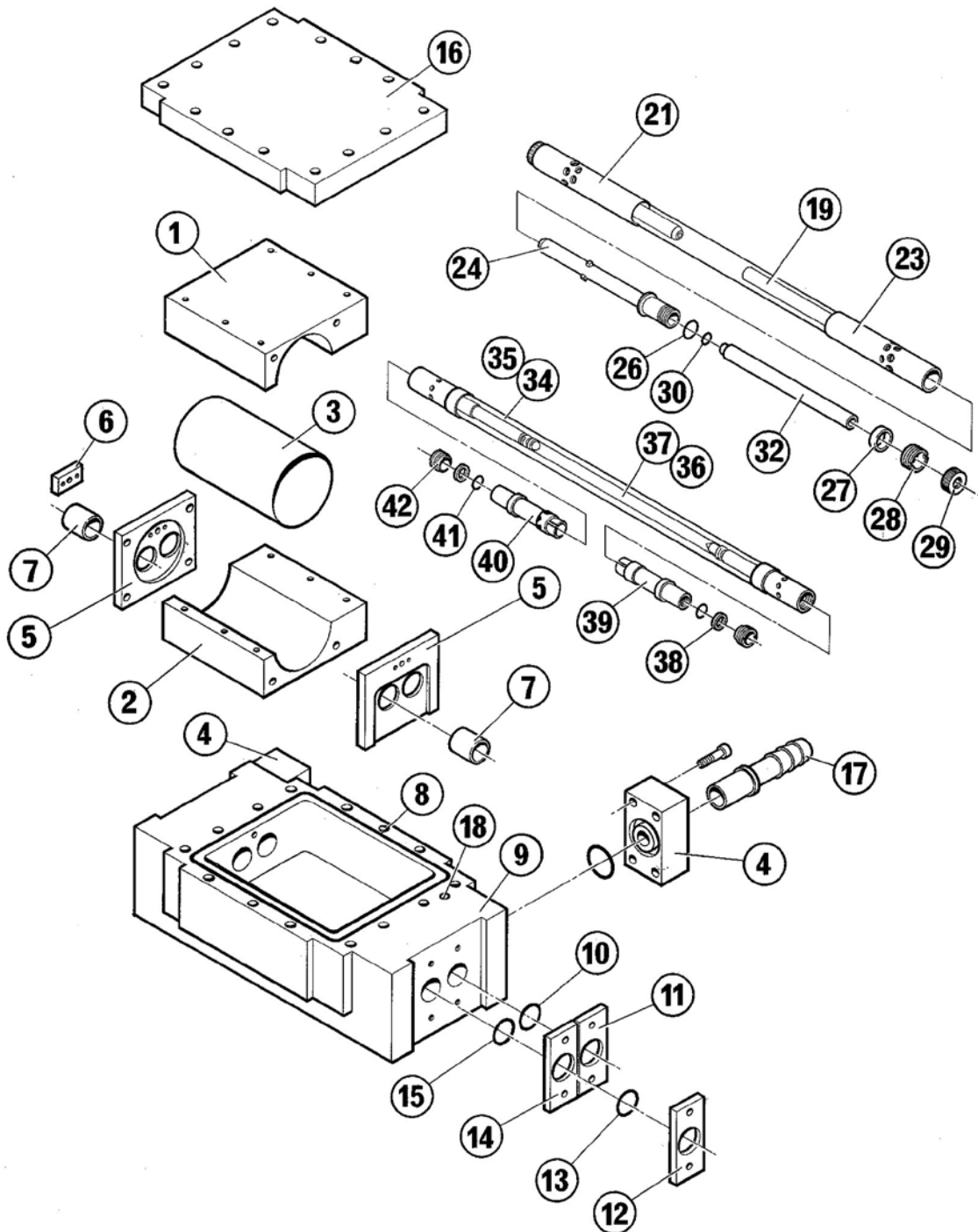
REFERENCE	ITEM	PART NUMBER
1	LFT116	Lamp Flow Tube, Pyrex
2	LFT116CE	Lamp Flow Tube, Ce doped quartz
3	ASA116	Anode Socket Assembly
4	CSA116	Cathode Socket Assembly
5	LLI16LL	Laser Lamp, 400 Hrs
6	LLI16LLS	Laser Lamp, 600 Hrs
7	D8811	DI Cartridge
8	PF30	Particle Filter

Other consumables upon request.

LAMP PUMPED LASER HEADS

High performance and reliability

Part No: CHBA4116YLF



Intelligent Solutions, Manufacturing & Development