

# LAMP PUMPED LASER HEADS

High performance and reliability



**Part No: CHBA512/C, CHBA479/C**

**LASER SYSTEMS:** Control Laser 512, 513, H-514, Instamark, Script, ESI 44, Teradyne W11, Chicago Laser CLS37, Laser Applications, Quantrad, Siemens Silamatic, JEC, 60W Multimode, 11W TEM00

**DESCRIPTION:** Single-Lamp Pumped Solid-State Laser Chamber used for laser trimming & marking applications

## ASSEMBLIES:

REFERENCE	PART NUMBER	DESCRIPTION
1	ORK512	O-Ring Kit
2	GC512	Gold Cavity Assembly, Complete
3	BA512	Head Block Assembly (Less Cavity, YAG Rod, Lamp & Carriage)
4	HBA512	Head Block Assembly (Less YAG Rod, Lamp & Carriage)
5	CHBA512	Head Block Assembly, Complete (Less Carriage)
6	CHBA512/C	Complete Head Block Assembly, TEM00
7	CHBA479	Head Block Assembly, Complete (Less Carriage), Multimode
8	CHBA479/C	Complete Head Block Assembly, Multimode

## Part No: CHBA512/C, CHBA479/C

### LASER HEAD COMPONENTS:

REFERENCE	PART NUMBER	DESCRIPTION
1	HBW510	Head Bolt Washer, Nylon
2	HB510	Head Bolt, Stainless Steel
3	FIN512	Heat Sink, Aluminium
4	UHB512	Upper Head Block
5	LFT512	Lamp and Rod Flow Tube
6	CLA500	Carriage Locking Assembly
7	LC510	Lamp Clip, Gold Plated
8	LTB510	Lamp Terminal Block
9	ORK512	O-Ring, Silicone (Included in Kit)
10	LHB512	Lower Head Block
11	LHC512	Head Carriage
12	WF016	Water Fitting, Head Block & Q-Switch
13	ORK512	O-Ring, Silicone (Included in Kit)
14	WF013	Water Fitting, 3/4 – 16 × 5/8” Stainless Steel
15	YR512	YAG Rod, 4 mm Dia, Unmounted, TEM <sub>00</sub>
16	SNY632	Nylon Screw, 6–32 × 1/4”
17	HVP510	High Voltage Pin
18	HVI510	High Voltage Insulator (2 pces)
19	ORK512	O-Ring, Silicone (Included in Kit)
20	RFT512C	Rod Flow Tube, Doped
21	RG510	Rod Guide
22	REC510	Rod End Cap
23	ORK512	O-Ring, Silicone (Included in Kit)
24	DB510	Dust Boot
25	YRA512	YAG Rod Assembly, Mounted, TEM <sub>00</sub>
26	LSP510	Lower Light Shield, Stainless
27	LL512AS	Krypton Arc Lamp (20 Amps 145–155 V)
28	USP510	Upper Light Shield, Stainless
29	CEP510	Cavity End Plate, Gold Plated
30	GCE512	Cavity Ellipse, Gold Plated
31	YR479	YAG Rod, 4 mm Dia, Unmounted, Multimode
32	YRA479	YAG Rod Assembly, Mounted, Multimode
33	LL512BS	Krypton Arc Lamp (20 Amps 155–165 V)

### FREQUENTLY USED CONSUMABLES:

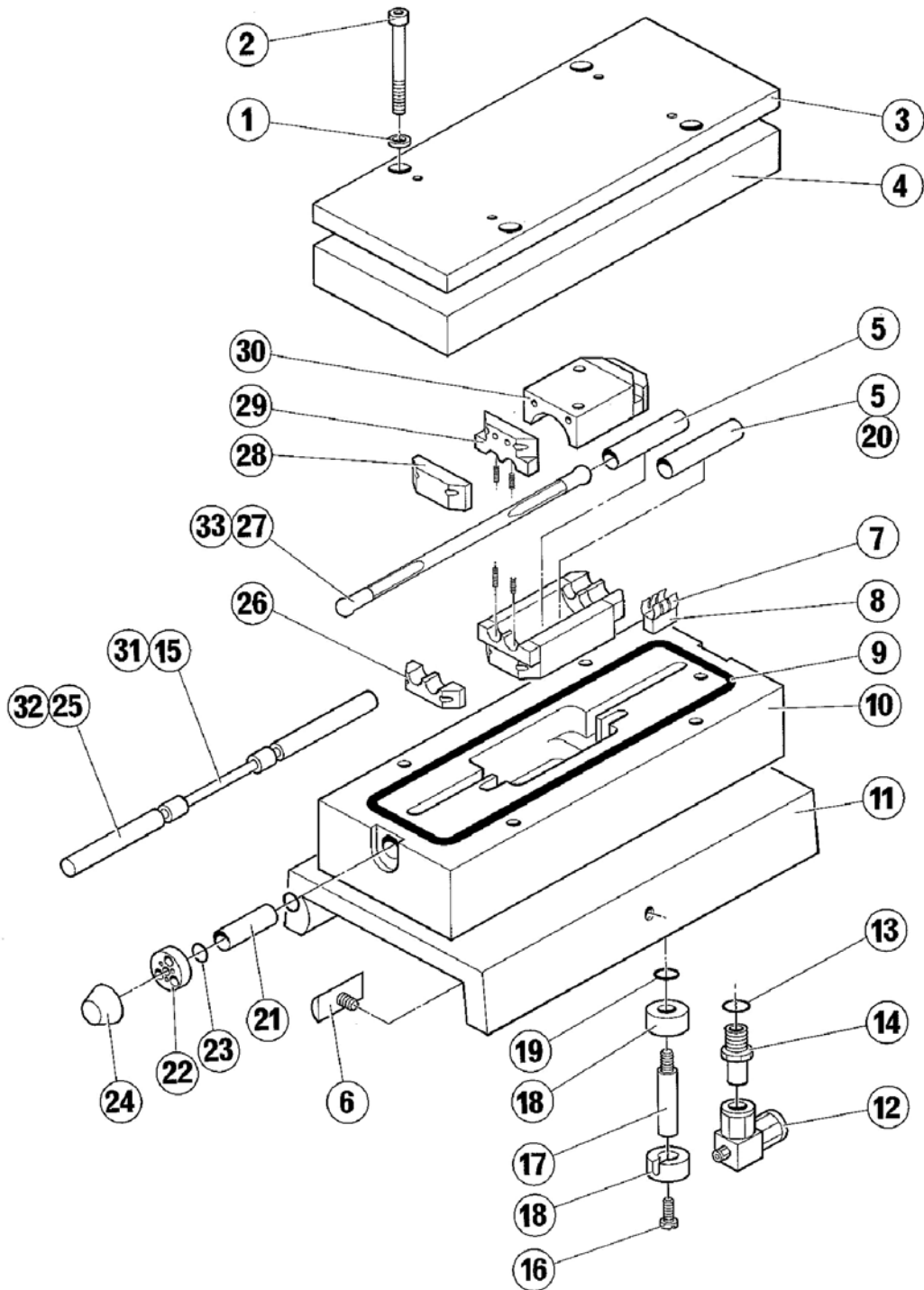
REFERENCE	ITEM	PART NUMBER
1	Lamp, 20Amp	LL512AS
2	Lamp & Rod Flow Tube	LFT512
3	Front Mirror 80% R	MR3M80RHC
4	Front Mirror 90% R	MR3M90RHC
5	Rear Mirror HR	MR3M100RHC
6	DI Cartridge	D8822
7	Particle Filter	PF10
8	Lamp Clip, Gold	LC510

Other consumables upon request.

# LAMP PUMPED LASER HEADS

High performance and reliability

## Part No: CHBA512/C, CHBA479/C



Intelligent Solutions, Manufacturing & Development