

LAMP PUMPED LASER HEADS

High performance and reliability



Part No: CHBA612/C

LASER SYSTEMS: Control Laser 612; Elite; Signature; Emblem, 60W Multimode

DESCRIPTION: Single-Lamp Pumped Solid-State Laser Chamber used for precision marking & engraving applications.

ASSEMBLIES:

REFERENCE	PART NUMBER	DESCRIPTION
1	ORK512	O-Ring Kit
2	GC612	Gold Cavity Assembly
3	BA612	Head Block Assembly (Less Cavity, YAG Rod, Lamp & Carriage)
4	HBA612	Head Block Assembly (Less YAG Rod, Lamp & Carriage)
5	CHBA612	Head Block Assembly, Complete (Less Carriage)
6	CHBA612/C	Complete Head Block Assembly, TEM00
7	CHBA649	Head Block Assembly, Complete (Less Carriage)
8	CHBA649/C	Complete Head Block Assembly, Multimode

Part No: CHBA612/C

LASER HEAD COMPONENTS:

REFERENCE	PART NUMBER	DESCRIPTION
1	HBW510	Head Bolt Washer, Nylon
2	HB612	Head Bolt, Stainless Steel
3	FIN512	Heat Sink, Aluminium
4	UHB612	Upper Head Block
5	LFT612	Lamp and Rod Flow Tube, Pyrex
6	CLA500	Carriage Locking Assembly
7	LVB612	Lamp V-block
9	ORK512	O-Ring, Silicone (Included in Kit)
10	LHB612	Lower Head Block
11	LHC612	Head Carriage
12	WF016	Water Fitting, Head Block & Q-Switch
13	ORK512	O-Ring, Silicone (Included in Kit)
14	WF013	Water Fitting, 3/4 – 16 × 5/8"
15	YR512	YAG Rod, 4 mm Dia, Unmounted, TEM ₀₀
16	SNY632	Nylon Screw, 6–32 × 1/4"
17	HVP510	High Voltage Pin
18	HVI510	High Voltage Insulator (2 pces)
19	ORK512	O-Ring, Silicone (Included in Kit)
20	RFT512SM	Rod Flow Tube, Samarium Doped
21	RG510	Rod Guide
22	REC510	Rod End Cap
23	ORK512	O-Ring, Silicone (Included in Kit)
24	DB510	Dust Boot
25	YRA512	YAG Rod Assembly, Mounted, TEM ₀₀
26	LSP510	Lower Light Shield, Stainless Steel
27	LL612S	Krypton Arc Lamp (20 Amps 155–165 V)
28	USP612PLUS	Upper Light Shield, Stainless Steel
29	CEP510	Cavity End Plate, Gold Plated
30	GCE512	Cavity Ellipse, Gold Plated
31	YR479	YAG Rod 4 mm Dia, Unmounted, Multimode
32	YRA479	YAG Rod Assembly, Mounted, Multimode
33	LCA512	Lamp Clamp – Not Shown
34	LC510	Lamp Retaining Clip, Gold – Not Shown
35	LLF612	Lamp Lifter – Not Shown

FREQUENTLY USED CONSUMABLES:

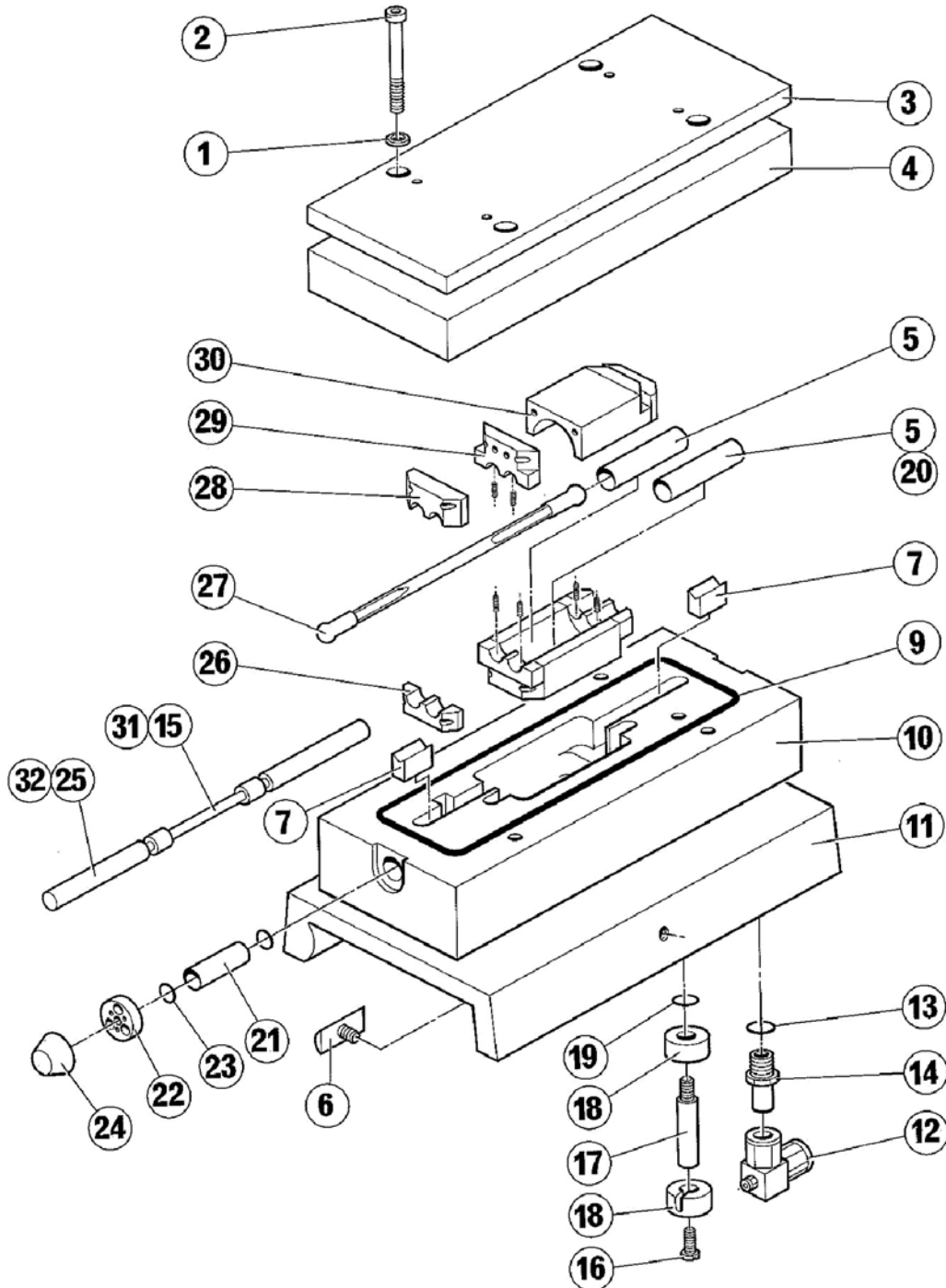
REFERENCE	ITEM	PART NUMBER
1	Lamp, 20 Amps 155–165 V	LL612S
2	Lamp and Rod Flow Tube, Pyrex	LFT612
3	Rod Flow Tube, Samarium	RFT512SM
4	Front Mirror 80% R	MR3M80RHC
5	Front Mirror 90% R	MR3M90RHC
6	Rear Mirror HR	MR3M100RHC
7	DI Cartridge	D8822
8	Particle Filter	PF10
9	Lamp V-Block	LVB612

Other consumables upon request.

LAMP PUMPED LASER HEADS

High performance and reliability

Part No: CHBA6 I 2/C



Intelligent Solutions, Manufacturing & Development