

LAMP PUMPED LASER HEADS

High performance and reliability



Part No: CHBA718/C

LASER SYSTEMS: Lee Laser Model 715, 718; General Scanning Hi-Mark 400

DESCRIPTION: Single-Lamp Pumped Solid-State Laser Chamber used for precision marking & engraving applications.

ASSEMBLIES:

REFERENCE	PART NUMBER	DESCRIPTION
1	ORK718	O-Ring Kit
2	GC718	Gold Cavity Assembly, Complete (Less Teflon Light Shields)
3	GCA718	Gold Cavity Assembly, Complete (Includes Teflon Light Shields)
4	BA718	Head Block Assembly (Less Cavity, YAG Rod, Lamp & Carriage)
5	HBA718	Head Block Assembly (Less YAG Rod, Lamp & Carriage)
6	CHBA718	Head Block Assembly, Complete (Less Carriage),
7	CHBA718/C	Complete Head Block Assembly

Part No: CHBA718/C

LASER HEAD COMPONENTS:

REFERENCE	PART NUMBER	DESCRIPTION
1	HB708	Head Bolt, Stainless Steel
2	H2	Stainless Steel Washer
3	H4	Nylon Washer
4	FIN718	Heat Sink, Aluminium
5	UHB718	Upper Head Block
6	CEP708L	Cavity End Plate, Left, Gold
7	LC708	Lamp Contact Band, Gold
8	LFT718	Lamp Flow Tube
9	RFT718	Rod Flow Tube, Cerium Doped
10	LL9300	Krypton Arc Lamp, 30 Amps
11	GCE718	Cavity Ellipse, Gold
12	ORK718	O-Rings (Included in Kit)
13	HVP708	High Voltage Pin
14	LMBS555	Lamp, Mounting Block, Screw
15	LCB708	Lamp Contact Block
16	LTB708	Lamp Terminal Block
17	LHB718	Lower Head Block
18	LHC718	Lower Head Carriage
19	CLA500	Carriage Locking Assembly
20	ORK718	O-Ring (Included in Kit)
21	WF049	Water Fitting 5/8" O.D., Stainless Steel
22	YR718	YAG Rod, 4 mm Dia, Unmounted, TEM ₀₀
23	YRA718	YAG Rod Assembly, Mounted, TEM ₀₀
24	ORK718	O-Ring (Included in Kit)
25	RG708	Rod Guide
26	REC718	Rod End Cap
27	DB718	Dust Boot
28	ORK718	O-Ring (Included in Kit)
29	CEP708R	Cavity End Plate, Right, Gold
30	LS708U	Teflon Light Shield, Upper (Sold as TLS708KIT)
31	TLS718U	Teflon Light Shield, Upper (Sold as TLS718KIT)
32	LS708L	Teflon Light Shield, Lower (Sold as TLS708KIT)
33	WF022	Water Fitting, Reducer 1/2" O.D
34	TLS718L	Teflon Light Shield, Lower (Sold as TLS718KIT)
35	WF016/2	Elbow Fitting 5/8" Nylon, Q-Switch Barb
36	H79	Stainless Steel Spilt Washer

FREQUENTLY USED CONSUMABLES:

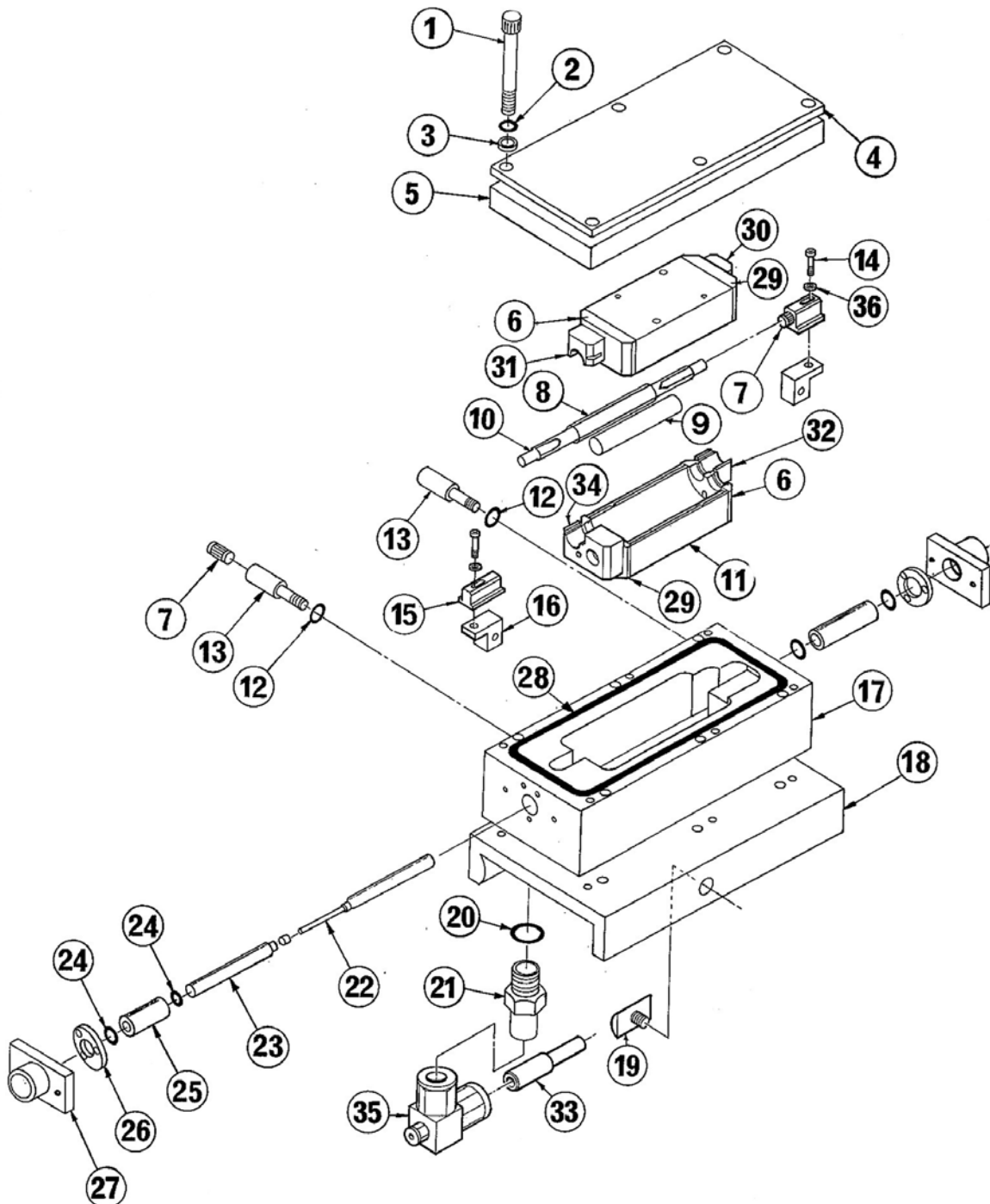
REFERENCE	ITEM	PART NUMBER
1	Lamp, 30Amp	LL9300
2	Lamp Flow Tube	LFT718
3	Rod Flow Tube	RFT718
4	DI Cartridge	D700
5	Front Mirror 80%	MR3M80RHC
6	Front Mirror 90%	MR3M90RHC
7	Rear Mirror HR	MR3M100RHC

Other consumables upon request.

LAMP PUMPED LASER HEADS

High performance and reliability

Part No: CHBA718/C



Intelligent Solutions, Manufacturing & Development