

LAMP PUMPED LASER HEADS

High performance and reliability



Part No: CHBA815/C, CHBA818/C

LASER SYSTEMS: Lee Laser Model 815; 818; 825; 825S; 825ST; General Scanning Hi-mark 400, HM800; HM6000

DESCRIPTION: Single-Lamp Pumped Solid-State Laser Chamber used for precision marking & engraving applications.

ASSEMBLIES:

REFERENCE	PART NUMBER	DESCRIPTION
1	ORK818	O-Ring Kit
2	GC818	Gold Cavity Assembly, Complete (Less Teflon Light Shields)
3	GCA818	Gold Cavity Assembly, Complete (Includes Teflon Light Shields)
4	BA818	Head Block Assembly (Less Cavity, YAG Rod, Lamp & Carriage)
5	HBA818	Head Block Assembly (Less YAG Rod, Lamp & Carriage)
6	CHBA818	Head Block Assembly, Complete (Less Carriage), TEM ₀₀
7	CHBA818/C	Complete Head Block Assembly, TEM ₀₀
8	CHBA815	Head Block Assembly, Complete (Less Carriage), Multimode
9	CHBA815/C	Complete Head Block Assembly, Multimode

Part No: CHBA815/C, CHBA818/C

LASER HEAD COMPONENTS:

REFERENCE	PART NUMBER	DESCRIPTION
1	HB708	Head Bolt, Stainless Steel
2	H2	Stainless Steel Washer
3	H4	Nylon Washer
4	FIN818	Heat Sink, Aluminium
5	UHB818	Upper Head Block
6	CEP818L	Cavity End Plate Left, Gold Plated
7	LC708	Lamp Contact Band, Gold
8	LFT718	Lamp Flow Tube
9	RFT818	Rod Flow Tube, Doped
10	LL9300	Krypton Arc Lamp, 30 Amps
11	GCE718	Cavity Ellipse, Gold Plated
12	ORK818	O-Ring (Included in Kit)
13	HVP818	High Voltage Pin
14	LCB818R	Lamp Contact Block, Right
15	LCB818L	Lamp Contact Block, Left
16	LTB818L	Lamp Terminal Block, Left
17	LHB818	Lower Head Block
18	LHC818	Lower Head Carriage
19	CLA500	Carriage Locking Assembly
20	ORK818	O-Ring (Included in Kit)
21	WFO49	Water Fitting 5/8" O.D., Stainless Steel
22	YR718	YAG Rod, 4 mm Dia, Unmounted, TEM ₀₀
23	YRA818	YAG Rod Assembly, Mounted, TEM ₀₀
24	ORK818	O-Ring (Included in Kit)
25	RG818	Rod Guide
26	REC818	Rod End Cap
27	DB718	Dust Boot
28	ORK818	O-Ring (Included in Kit)
29	CEP818R	Cavity End Plate, Gold, Right, Gold Plated
30	LS708U	Teflon Light Shield, Upper
31	TLS718U	Teflon Light Shield, Upper
32	LS708L	Teflon Light Shield, Lower
33	LTB818R	Lamp Terminal Block, Right
34	TLS718L	Teflon Light Shield, Lower
35	WF016	Elbow Fitting 5/8" Nylon, Q-Switch
36	LMBS555	Lamp Mounting Block Screw
37	WF022	Water Fitting Reducer, " O.D.
38	H79	Stainless Steel Spilt Washer
39	YR715	YAG Rod, 4 mm Dia, Unmounted, Multimode
40	YRA815	YAG Rod Assembly, Mounted, Multimode

FREQUENTLY USED CONSUMABLES:

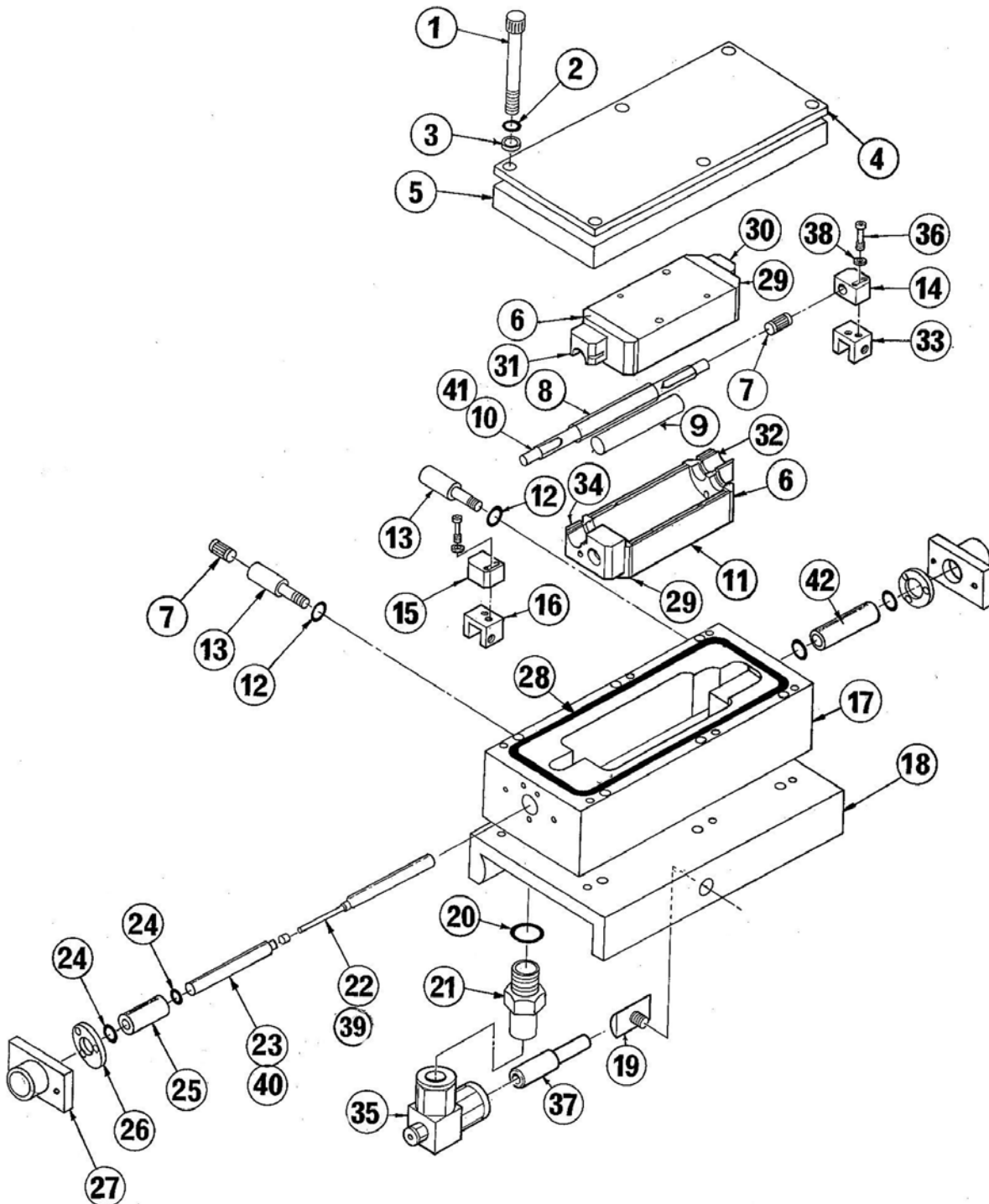
REFERENCE	ITEM	PART NUMBER
1	Front Mirror 80%	MR3M80RHC
2	Rear Mirror HR	MR3M100RHC
3	DI Cartridge	D700

Other consumables upon request.

LAMP PUMPED LASER HEADS

High performance and reliability

Part No: CHBA815/C, CHBA818/C



Intelligent Solutions, Manufacturing & Development